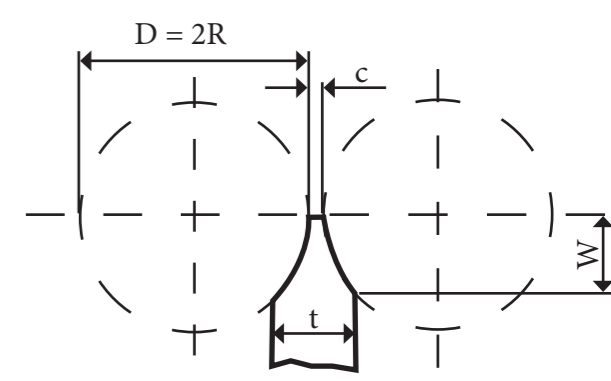
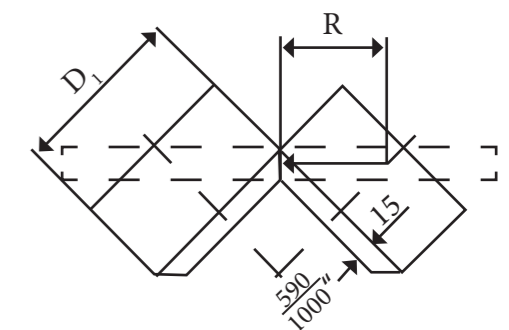


Standard Wheel Diameters

- 100 mm (3.93")
- 125 mm (4.92")
- 150 mm (5.9")
- 175 mm (6.88")
- 200 mm (7.87")



Example:
 Blade thickness (t) = .190"
 Blade Cutting edge thickness (c) = .020"
 $t-c / 2 = .085$ " grind depth
 With panel height specification at .650"
 Wheel for generating this grind needs to be approximately 125mm or 4.92" (x)



65 Pixley Industrial Parkway
 Rochester, New York 14624
 T: 800-724-9874
 F: 585-247-1883

www.rochesterabrasives.com